

# Sierra II

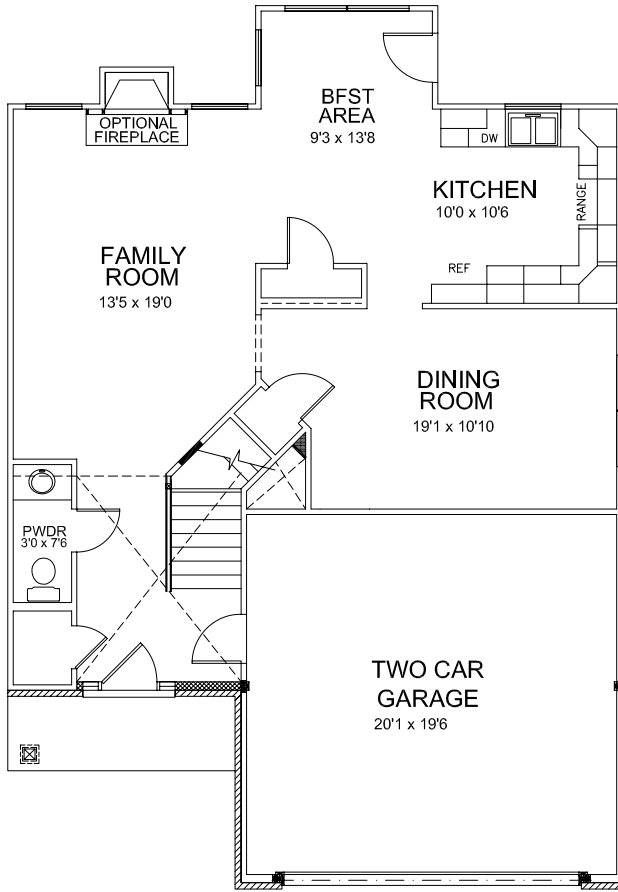


Elevation A

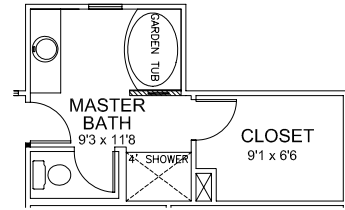


Elevation B

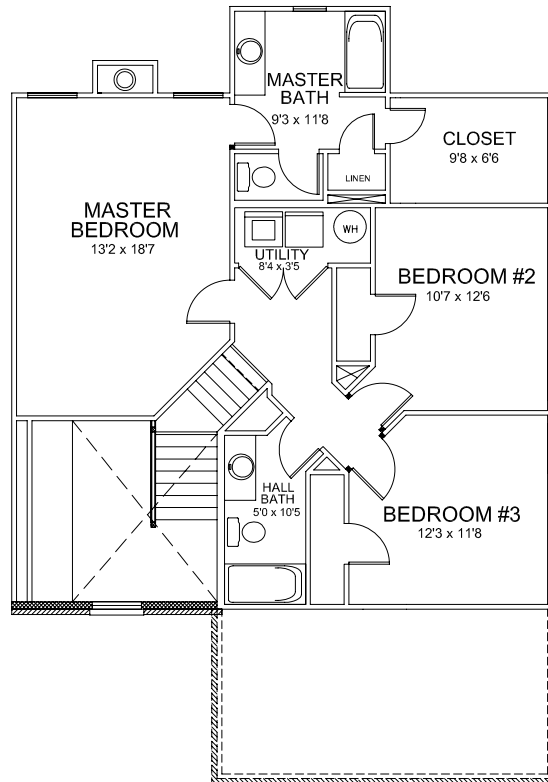
# Sierra II



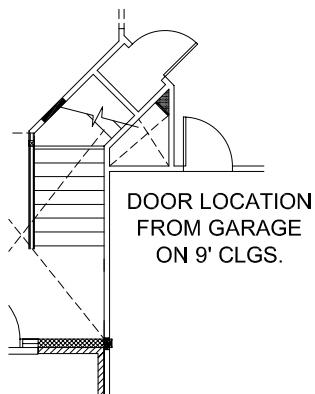
FIRST FLOOR PLAN



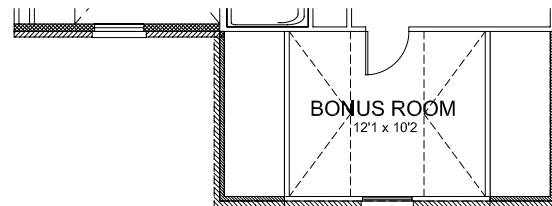
OPTIONAL 5' GARDEN TUB & 4' SHOWER



SECOND FLOOR PLAN



DOOR LOCATION FROM GARAGE ON 9' CLGS.



OPTIONAL BONUS ROOM



www.ballhomes.com



Lexington 859.245.1179  
 Louisville 502.214.8000  
 Richmond 859.625.0088  
 Georgetown 502.867.7399  
 www.milestoneky.com



Because we are constantly working to improve our homes, floorplans are subject to change without notice.

Revised 8.03.09